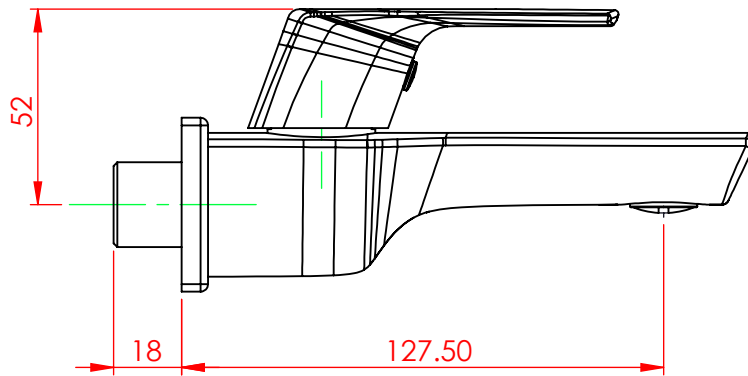
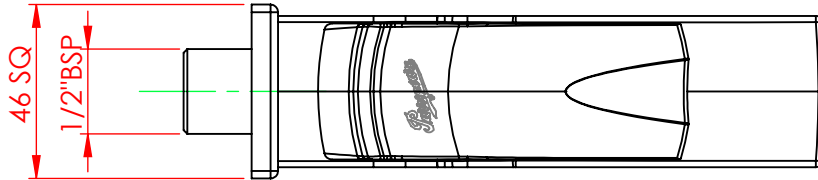


Symbol Specification	∇ - Not machined	TOLERANCES TO APPLY IF NOT SPECIFIED (Type what it is not interested)					
	$\frac{12.5}{\nabla}$ - Machining touch feeling	$1 < X \leq 6$	$6 < X \leq 30$	$30 < X \leq 100$	$100 < X \leq 300$	$300 < X \leq 1000$	$1000 < X \leq 2000$
	$\frac{3.2}{\nabla}$ - Machining smooth finish	Fine quality	±0.05	±0.1	±0.15	±0.2	±0.3
	$\frac{0.6}{\nabla}$ - Mirror finish	Medium quality	±0.1	±0.2	±0.3	±0.5	±0.8
		Coarse quality		±0.5	±0.8	±1.2	±2
							±3



				UNLESS OTHERWISE SPECIFIED All dimension are in MM. All Projection are Third angle . Tolerance on Machined dimensions -Medium IS 2102 All sharp edges are to be removed.	
				Drawn by	Amit K.
				Checked by	Suman M.
				Approved by	Manish M.
				Date	25-04-2012
				Outer Surface Area	NR
				Weight	NR
				Scale	NTS
REV.	DATE	REV. HISTORY			

Roca Bathroom Products Pvt. Ltd.					
BHIWADI (Taps Unit), India					
This drawing & design is property of RBPPL It is a Confidential disclosure which must neither be copied nor used in any manner detrimental to their interests.					
TITLE - Bib Cock Ins.					
TYPE - Ins.		Range- Euclid		Sheet 1 of 1	
Material		Drg. No. 11804		Rev.No. 1	
				Release No. 1	